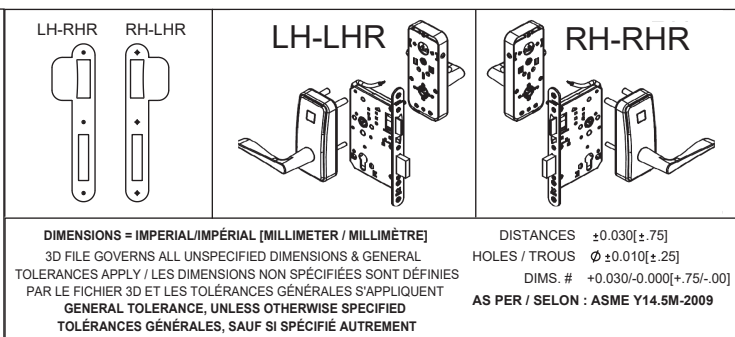
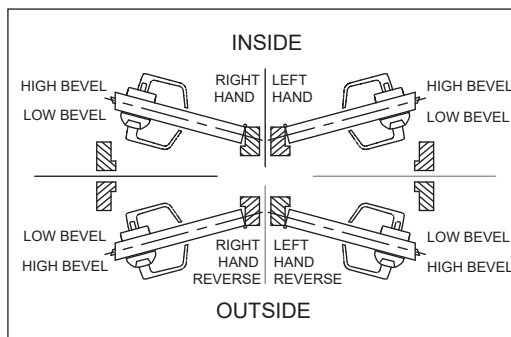
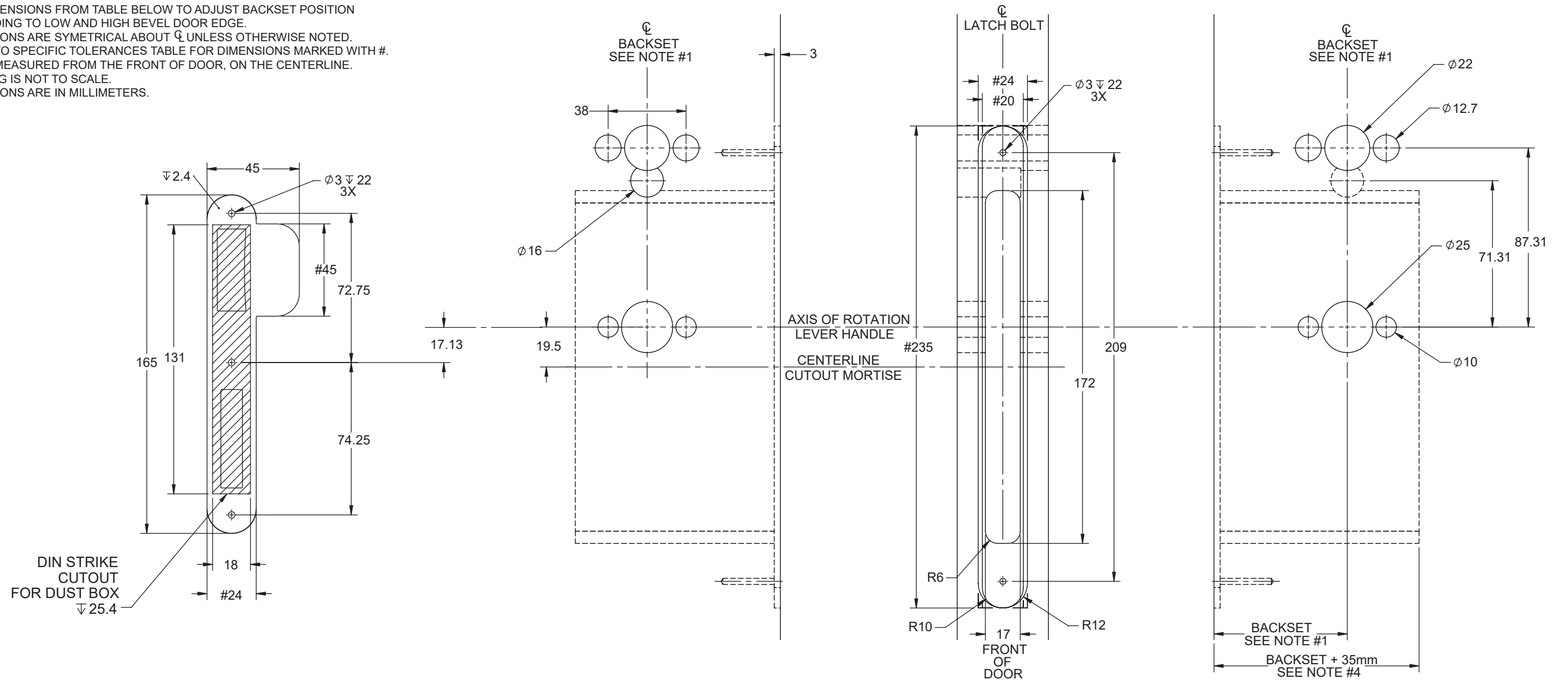


Saffire LX-M & Saffire EVO LZ-M

Euro mortise lock case 395 no Euro profile cylinder door preparation

NOTES:

- BACKSET SHOWN FOR REFERENCE ONLY. ADJUST BACKSET AS PER LOCK CASE. USE DIMENSIONS FROM TABLE BELOW TO ADJUST BACKSET POSITION ACCORDING TO LOW AND HIGH BEVEL DOOR EDGE.
- DIMENSIONS ARE SYMMETRICAL ABOUT \varnothing UNLESS OTHERWISE NOTED.
- REFER TO SPECIFIC TOLERANCES TABLE FOR DIMENSIONS MARKED WITH #.
- DEPTH MEASURED FROM THE FRONT OF DOOR, ON THE CENTERLINE.
- DRAWING IS NOT TO SCALE.
- DIMENSIONS ARE IN MILLIMETERS.



BACKSET ADJUSTMENT FOR 3° BEVEL DOOR		
DOOR THICKNESS DIMENSION X	BACKSET ADJUSTMENT DIMENSION Y	
1.25" [31.8mm]	.032" [0.81mm]	
1.50" [38.1mm]	.039" [1.00mm]	
1.75" [44.5mm]	.046" [1.17mm]	
2.00" [50.8mm]	.052" [1.32mm]	
2.25" [57.2mm]	.059" [1.50mm]	
2.50" [63.5mm]	.065" [1.65mm]	
2.75" [69.9mm]	.072" [1.83mm]	

WARNING

- To verify lock coverage and door operation meets expectations, dormakaba strongly recommends completing a full door mockup. This will ensure that all necessary products and parts for a successful installation are included.
- Always validate that you have selected the correct template for specific lock model being installed. The same lock model can be offered with different locking device options.
- Drawing is not to scale. Measurements are for reference only. Not a drilling template.
- If you have any questions, please contact your local sales representative or authorized reseller.